

1SS355 FAST SWITCHING DIODE

SOD-323



FEATURES

- 1) Small surface mounting type
- 2) High speed
- 3) High reliability with high surge current handling capability

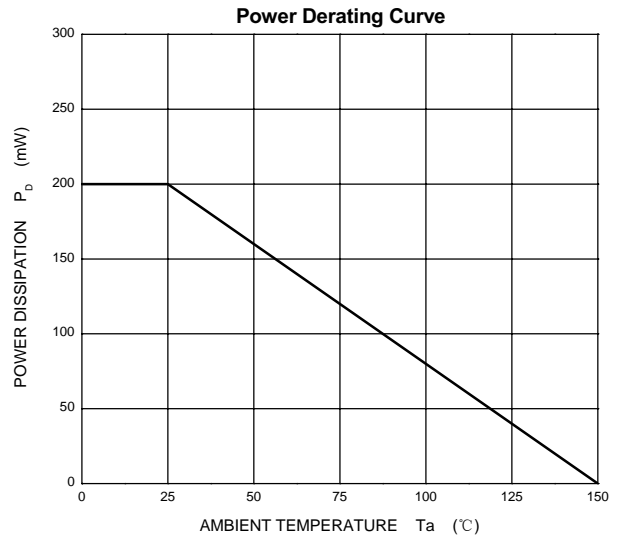
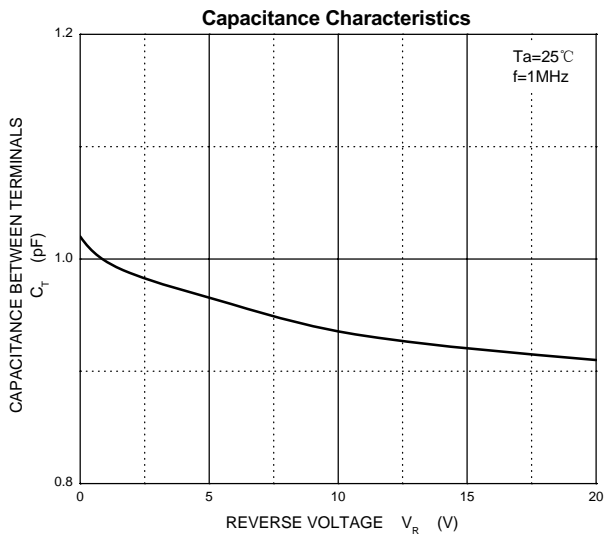
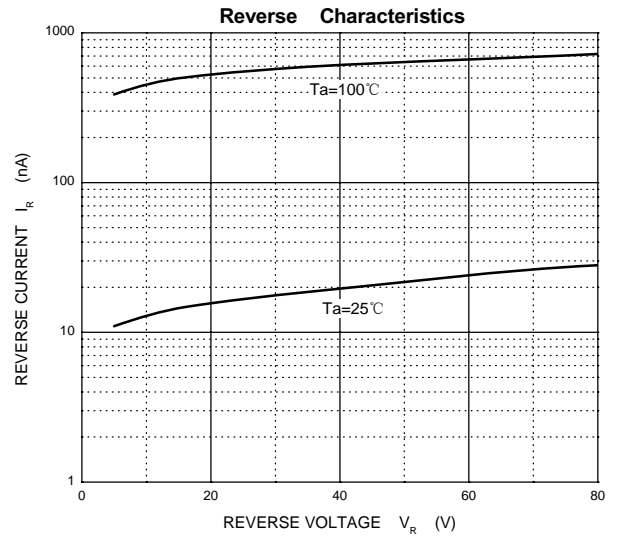
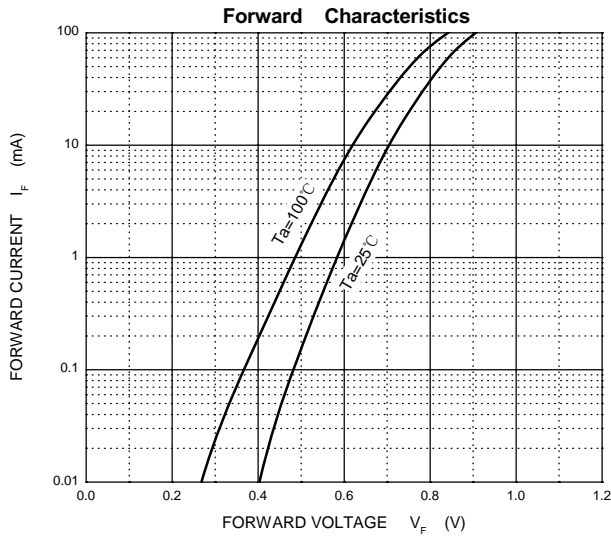
Maximum Ratings and Electrical Characteristics, Single Diode @Ta=25°C

Parameter	Symbol	Limit	Unit
Non-repetitive peak reverse voltage	V_{RM}	90	V
DC blocking voltage	V_R	80	V
Peak forward current	I_{FM}	225	mA
Average rectified output current	I_O	100	mA
Surge current (@t=1s)	I_{surge}	500	mA
Junction temperature	T_j	150	°C
Storage temperature	T_{STG}	-55~+150	°C

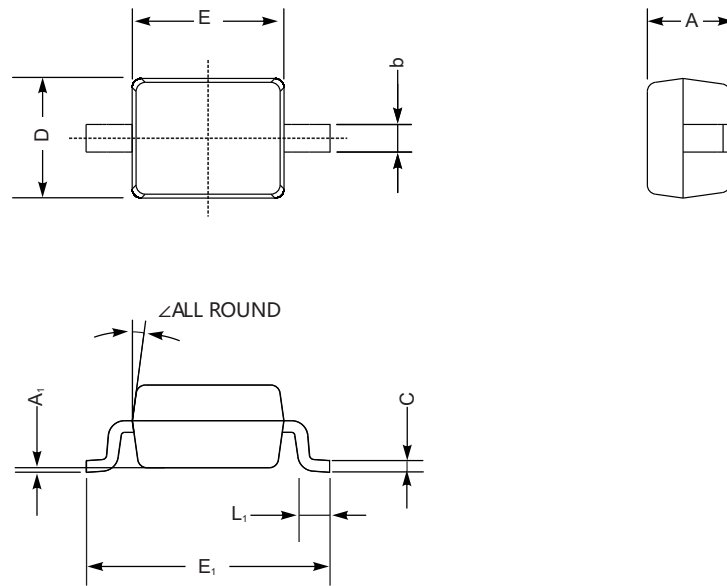
Electrical Ratings @Ta=25°C

Parameter	Symbol	Min	Typ	Max	Unit	Conditions
Forward voltage	V_F			1.2	V	$I_F=100mA$
Reverse current	I_R			0.1	μA	$V_R=80V$
Capacitance between terminals	C_T			3	pF	$V_R=0.5V, f=1MHz$
Reverse recovery time	t_{rr}			4	ns	$I_F=10mA, V_R=6V, R_L=100\Omega$

Typical Characteristics



Package Outline



SOD-323 mechanical data

UNIT		A	C	D	E	E ₁	b	L ₁	A ₁	∠
mm	max	1.1	0.15	1.4	1.8	2.75	0.4	0.45	0.2	9°
	min	0.8	0.08	1.2	1.4	2.55	0.25	0.2	—	
mil	max	43	5.9	55	70	108	16	16	8	
	min	32	3.1	47	63	100	9.8	7.9	—	